

# Secure Safe Professional S1

for protection of documents, cash and valuables

*Looking for a European certified safe for storing documents together with cash and valuables in a secure way? Look no further.*

The Secure Safe Professional is designed to protect cash and valuables from the threat of theft. Items recommended for storage include cash, jewellery, passports and laptops, to name a few. For at home or in any business environment, the Secure Safe Professional range offers a high security and is tested and certified to ECB•S (European Certification Board•Security Systems).



## Models

The Secure Safe Professional S1 is available in five models, all designed to hold cash and valuables and to store documents.

## Construction

The Professional S1 range is constructed with an 8 mm solid steel door and 3 mm steel body. Increased security is achieved by manganese steel plates which protect lock, bolt-work and bolts against drilling. The durable bolt-work has 2 or 4 bolts, which are chrome plated and have a diameter of 25 mm.

## Locking

The safes are offered with a Mauer President double bitted key lock or Mauer Code Combi K electronic PIN-code lock (both Class A, EN 1300 / ECB•S approved).

## Certification

The Secure Safe Professional S1 is tested and certified to Security Class S1 (EN 14450 / ECB•S).

## Additional features

The safes can be fixed to the floor or wall using the included fixing kit. In addition the safes are supplied with a removable shelf as standard (except model 18).

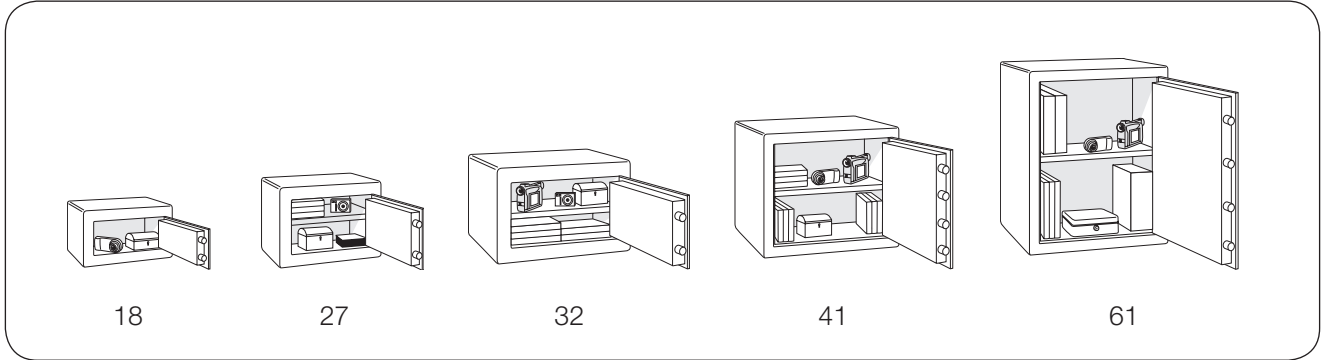
## Design

The Professional range has modern styling and will complement any user environment. The safes are in two-tone colour powder coated finish; light grey and dark grey. The electronic lock is supplied in black.



# Secure Safe Professional S1

## Models



SLGB.1016.R3

## Product data

### Key lock

Model	Article No.	External dimensions (mm)			Internal dimensions (mm)			Volume (litres)	Weight (kg)	Shelf (qty)	Bolts (qty)
		Height	Width	Depth	Height	Width	Depth				
PS1-18K	SL03300	180	310	205	170	300	150	8	12	–	2
PS1-27K	SL03301	270	350	345	260	340	280	26	25	1	2
PS1-32K	SL03302	320	440	395	310	430	330	44	35	1	2
PS1-41K	SL03304	410	460	395	400	450	330	60	43	1	4
PS1-61K	SL03305	610	460	395	600	450	330	90	57	1	4

### Electronic lock

Model	Article No.	External dimensions (mm)			Internal dimensions (mm)			Volume (litres)	Weight (kg)	Shelf (qty)	Bolts (qty)
		Height	Width	Depth	Height	Width	Depth				
PS1-27E	SL03307	270	350	345	260	340	280	26	25	1	2
PS1-32E	SL03308	320	440	395	310	430	330	44	35	1	2
PS1-41E	SL03310	410	460	395	400	450	330	60	43	1	4
PS1-61E	SL03311	610	460	395	600	450	330	90	57	1	4

SecureLine policy is one of constant improvement. The above specification may therefore be altered without prior notification.

[www.Secure-Line.net](http://www.Secure-Line.net)

Authorised dealer: